

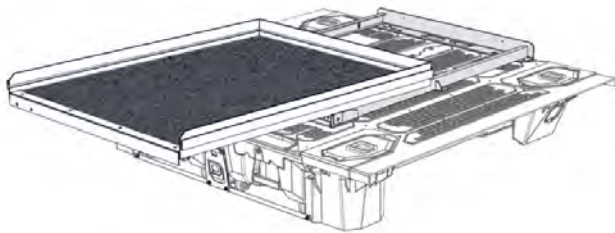


DECKED CARGOGLIDE TO DRAWER SYSTEM

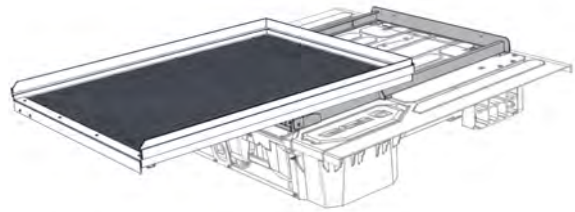
INSTALLATION INSTRUCTIONS:

FULL-SIZE TRUCKS (CG1000-6348 or CG1000-7348 ONLY)

MIDSIZE TRUCKS (CG1000-5641 or CG1000-6841 ONLY)



FULL-SIZE TRUCKS



MIDSIZE TRUCKS

HARDWARE:

4 WELDED BOLTS
4 FLANGED NYLOC NUTS

4 RUBBER/STEEL WASHERS
8 STEEL WASHERS

IMPORTANT: DO NOT USE THE PLUSNUT HARDWARE KIT FOUND IN THE CARGOGLIDE CARTON!

TOOLS NEEDED:



CHISEL



1/2"
WRENCH



DRILL



1/4"
DRILL
BIT



5/16"
DRILL
BIT

NOTE: READ INSTRUCTIONS COMPLETELY BEFORE ATTEMPTING INSTALL.

NEED HELP? Call us at 208-806-0251 or email service@DECKED.com

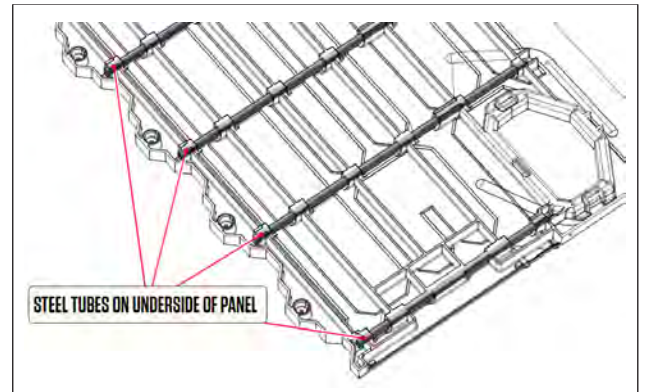
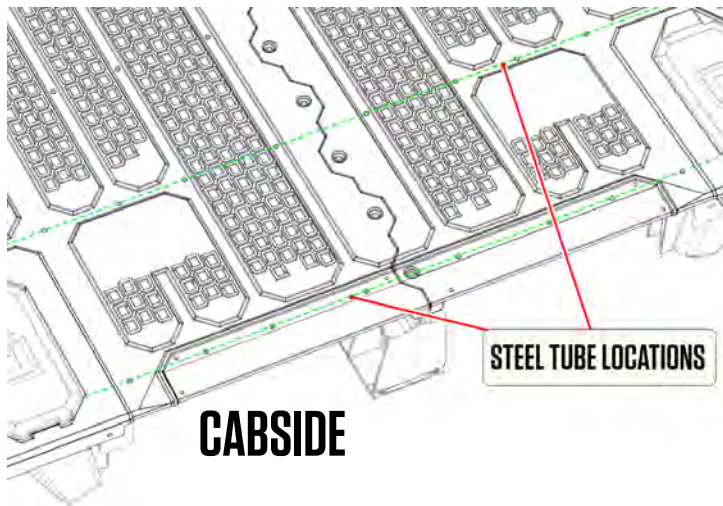
ENSURE THE DECKED SURFACE IS CLEAN AND FREE OF ANY CARGO PRIOR TO INSTALL.

**100% EXTENSION CARGOGLIDES ARE NOT COMPATIBLE WITH DECKED DRAWER SYSTEMS:
FOR USE ONLY WITH THE MODELS LISTED ABOVE: 73" MAX LENGTH/70% EXTENSION/1000 lb.**

FOLLOW US: @DECKEDUSA | #DECKEDUSA

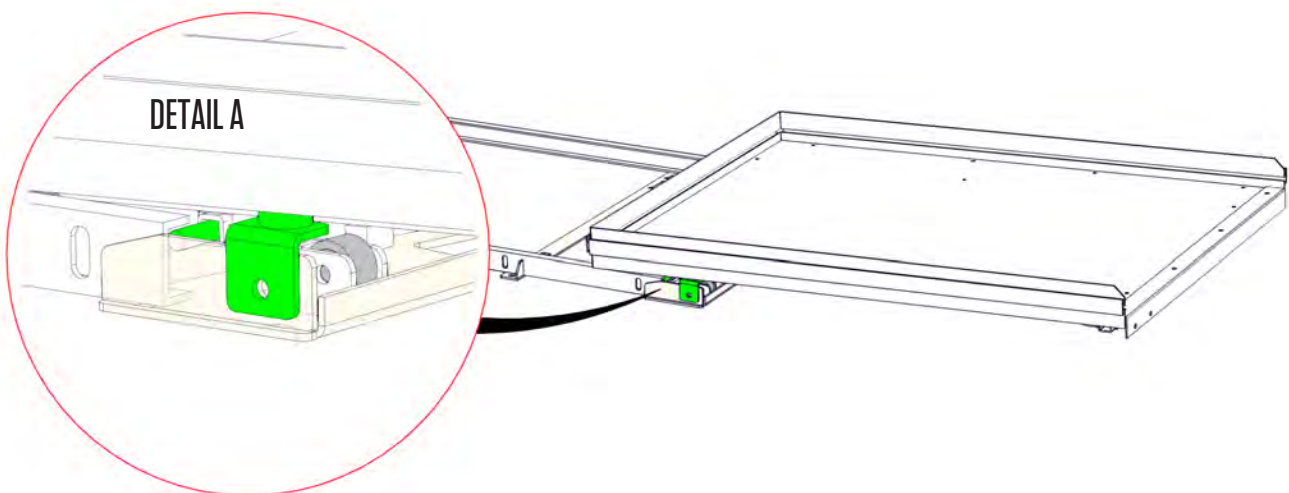
STEP 1: ASSEMBLE DECKED DRAWER SYSTEM ON THE GROUND

- Remove the DECKED system from your truck - follow the DECKED drawer system instructions to remove. Need instructions? Easy! <https://decked.com/pages/instruction-sets>
- Place the DECKED system on the ground or other flat surface.
- Connect both panels to the center vert. Set the drawers aside. (5.5' FULL-SIZE is shown below)
- NOTE: Aligned dimples on top of DECKED panels indicate the location of steel tubes underneath.

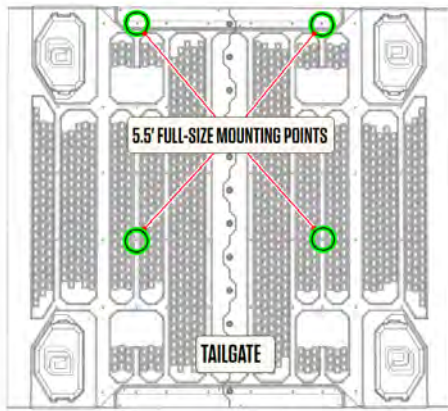


STEP 2: SET CARGOGLIDE BASE FRAME IN PLACE ON DECK

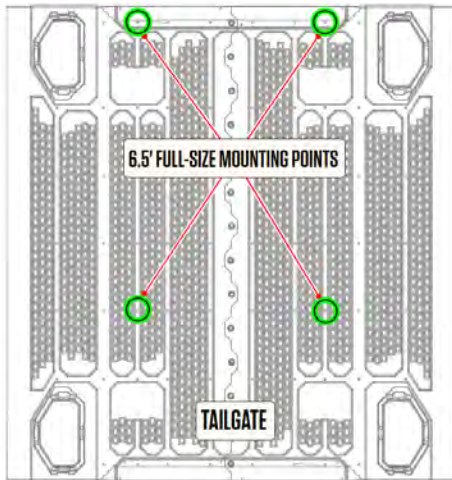
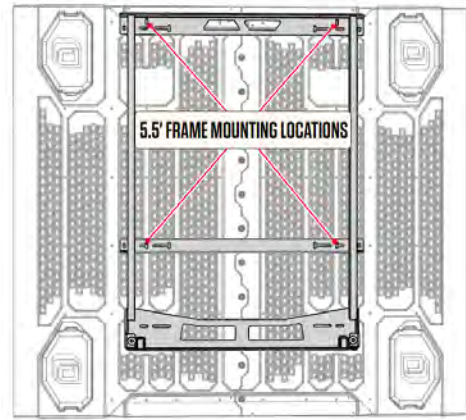
- You can remove the upper CargoGlide tray/frame from the base for easier installation - see CargoGlide instructions for tray removal.
- HELPFUL TIP: Do not allow the latch pin to hit the side placement bearing assembly. See DETAIL A below.
- Test the fitment in the bed with the upper tray installed BEFORE you drill into DECKED.
- Roller wheels on CargoGlide base frame go on tailgate end of DECKED.
- Place the frame on the drawer system oriented towards the cabside. Center the frame from left-right.
- Align the four mounting points directly over a dimple in the DECKED panel. Exact locations per truck size are on the next page.
- Mounting points MUST be located in the valleys and directly over a dimple on the DECKED panel, not on the raised "D's".
- Once correct frame position is located, mark the four dimple locations. Move the frame out of the way.



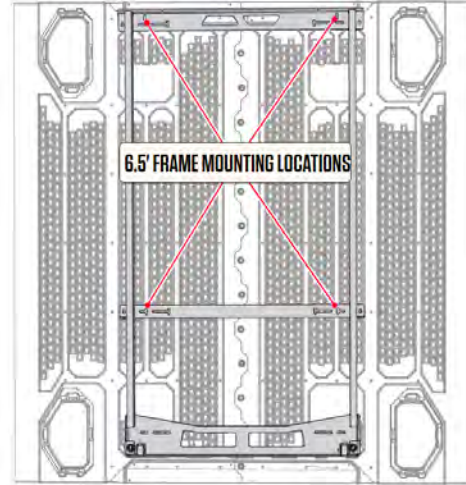
FULL-SIZE MOUNTING POINTS:



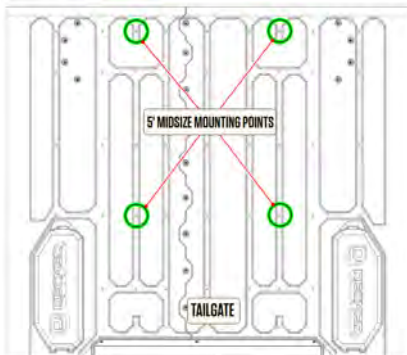
5.5' BEDS



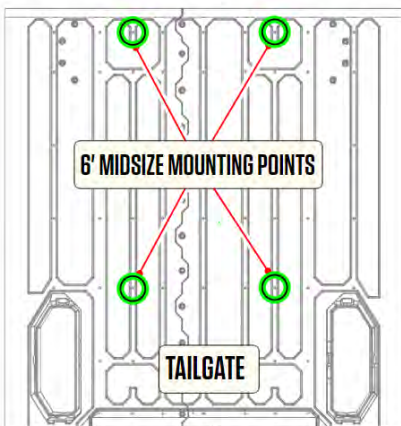
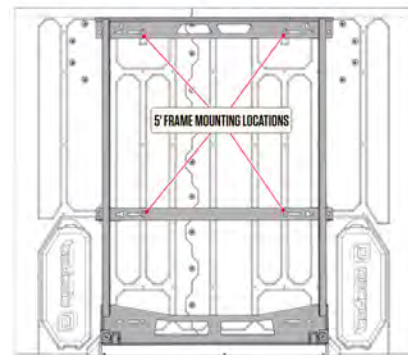
6.5' BEDS



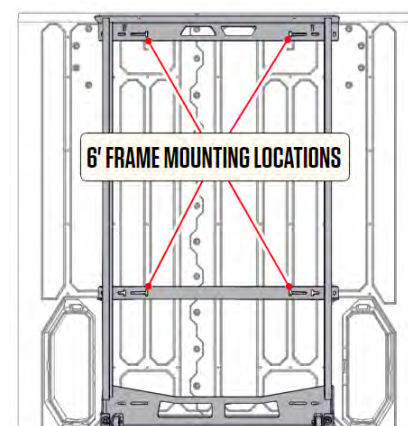
MIDSIZE MOUNTING POINTS:



5' BEDS



6' BEDS

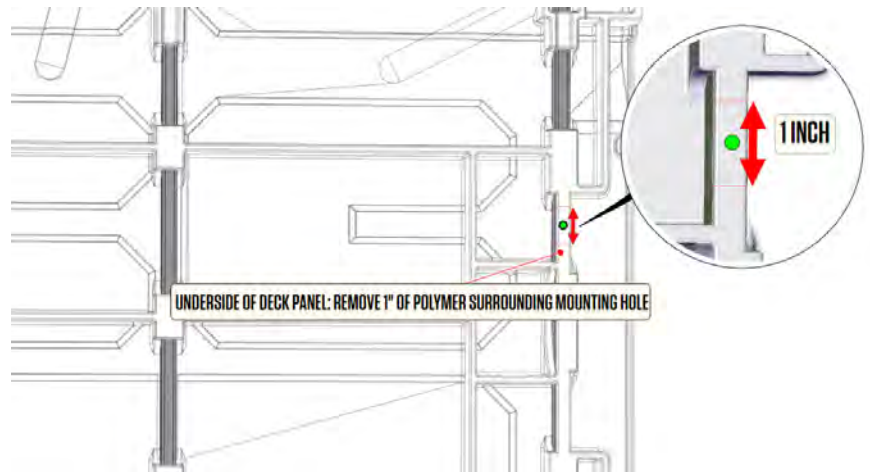


STEP 3: DRILL PILOT HOLES

- Drill pilot holes in the center of the marked dimples with a 1/4" drill bit through the deck panel and lateral steel tube underneath.
- Make sure to drill all the way through the CENTER of both the top and bottom of the DECKED steel tube.
- Check the underside of the deck to verify your hole is centered in the steel tube.
- Use the 5/16" drill bit to enlarge each hole.

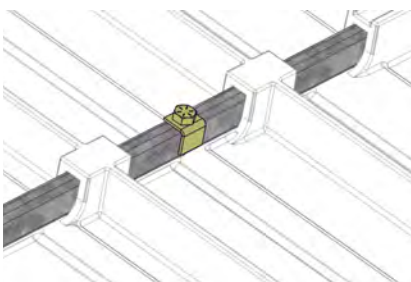
STEP 4: CHISEL YOUR LATS

- Remove deck panels and turn upside down.
- If any polymer resides around a drilled hole, carefully use a chisel to remove about 1" of material to make room for the welded bolt.

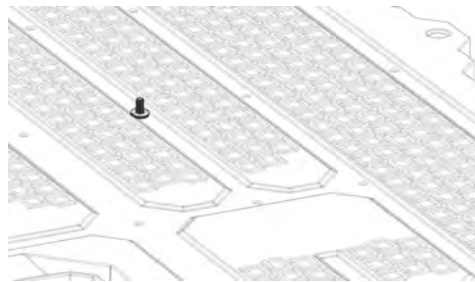


STEP 5: ATTACH WELDED BOLTS

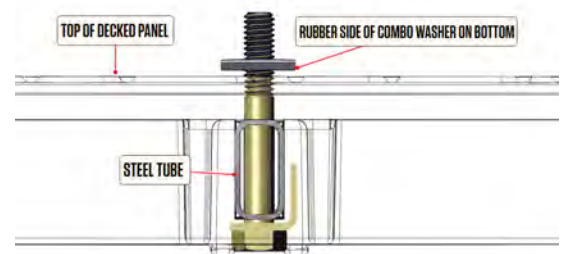
- Pass the welded bolts through [4] holes from the underside of the panel. The welded tab of the bolt grabs the metal tube as shown below, left.
- Secure each bolt on the top side of the deck panel with the rubber combo washer [rubber side against DECKED panel] to prevent the bolt from slipping out - middle and right images below.



WELDED BOLT



Rubber combo washer [rubber side against top of DECKED panel]

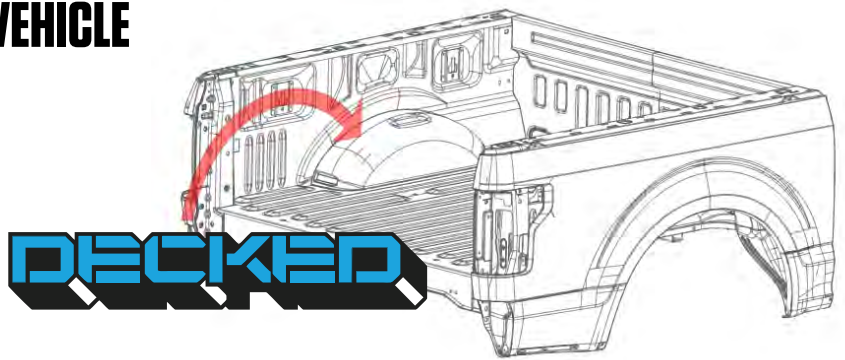


This is the correct placement.

STEP 6: PLACE DECKED SYSTEM IN VEHICLE

FULL-SIZE

- With all [4] welded bolts and washers in place, position DECKED system into bed of truck or van. Attach j-hooks but do not tighten yet.
- Do not install DECKED drawers yet.
- Reinstall all deck-to-vert bolts down the zig zag center.
- Install the ruler.

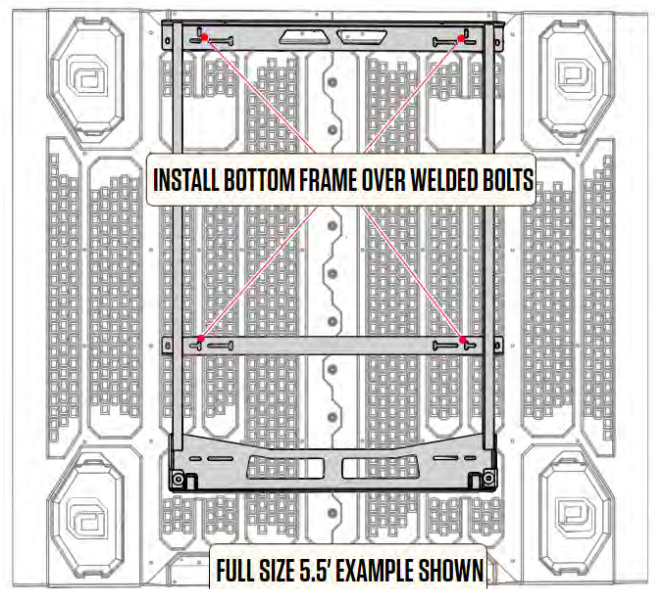


MIDSIZE:

- Remove the panels from the assembly being careful to keep the welded bolts in place.
- Install the support structure and reattach to the cabside stud brackets or cabside bulkhead, depending on your model.
- Install the panels and replace all bolts.
- Do not install DECKED drawers yet.
- Install the ruler.

STEP 7: INSTALL CARGOGLIDE BASE FRAME ONTO DRAWER SYSTEM PANELS

- Place one steel washer on top of each sealing washer. This will fill the gap between the deck and the CargoGlide bottom frame and compress the sealing washer.
- Place CargoGlide frame over the four [4] exposed bolt tails, sealing washers and steel washers, making sure to align the proper mounting holes on the frame over the bolt tails.
- Place a steel washer on the bolt tail (on top of the CargoGlide frame).
- Loosely attach each bolt with a flanged nylok nut.
- Make sure frame rests snugly against DECKED and tighten all four [4] nuts.
- Suggested torque is 15 ft-lb. You may need to stand on frame to get it to tighten entirely to deck panels.



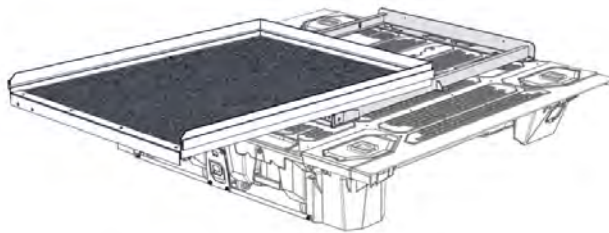
STEP 8: COMPLETE DECKED SYSTEM INSTALL

- Following the instructions that came with your DECKED drawer system, install the drawers, torsion brace and bottle opener.
- Tighten the j-hooks ensuring the bottle opener remains centered for full size trucks - for mid size trucks, make sure the gaps on the left/right are equal.

STEP 9: INSTALL CARGOGLIDE TOP FRAME

- If you removed the top frame from the base frame, install the CargoGlide top frame into the base frame by placing top frame over the rear bearings and sliding the frame forward to the stowed position.
- Do not allow the latch pin to hit the side placement bearing assembly. See DETAIL A on page 2.
- **IMPORTANT:** Grab your favorite beverage, crack 'er open in the bottle opener and make a toast to your vehicle. You did it. Immediately post a photo of your significant other, child or canine (in no order of significance - please someone show us your pet alligator) appreciating your accomplishment. Add hashtag #DECKEDUSA | @DECKEDUSA.

INSTRUCTION VIDEOS



REGISTER YOUR SYSTEM



WARNING: Adding a CargoGlide or making any modifications to the DECKED system may put you or others at risk of bodily harm. Although this installation technique is valid, we do not guarantee that any slide or installation techniques will work in all applications. Installation procedures will vary between models. Installing slides on or making any modifications to the DECKED system is entirely at the risk of the installer. We do not recommend using a slide with a weight capacity greater than 1,000 lbs. Modifying a DECKED system may void the applicable warranty.

FOLLOW US:      @DECKEDUSA | #DECKEDUSA

DECKED Products – Limited Lifetime Warranty

(Valid on DECKED Products purchased on or after 8/1/2021)

DECKED LLC, (the “Manufacturer”) warrants the original purchaser only that DECKED Truck and Van Products (The “DECKED” Product) will be free from defects in material and workmanship from the date of purchase and continuing for the expected lifetime of the DECKED Product. The DECKED Product must be registered by the original purchaser with DECKED, LLC via its website at, www.decked.com/register, and a copy of the original sales receipt must be supplied to the Manufacturer at the time a warranty claim is made. This warranty terminates if the original purchaser transfers the DECKED Product to any other person or vehicle.

WHAT IS COVERED

All DECKED Products identified above on or after August 1, 2021

DECKED's Limited Lifetime Warranty applies to US and Canadian customers only. International shipments are covered by DECKED's 3 Year Limited Warranty.

WHAT WE WILL DO TO CORRECT PROBLEMS

Subject to the limitations and exclusions described in this limited warranty, the Manufacturer will remedy defects in workmanship or materials by providing one of the following remedies at its option and without charge to the original purchaser for parts: (a) repairing the defective portion of the DECKED Product or (b) replacing the entire DECKED Product. In addition, the Manufacturer may elect at its option not to repair or replace the DECKED Product, but rather issue to the original purchaser a refund equal to the purchase price paid for the DECKED Product or a credit to be used towards the purchase of a new DECKED Product.

WHAT IS NOT COVERED

This limited warranty expressly excludes:

- Damage or defects caused by normal wear and tear, cosmetic rust, scratches, accidents, unlawful vehicle operation, installation in a non-supported vehicle or installed in a vehicle which does not match the DECKED Product's SKU-intended fitment or use, or modification of the product, or any types of repair of a DECKED Product other than those authorized or provided by the Manufacturer.
- Damage or defects resulting from conditions beyond the Manufacturer's control and specifications including, but not limited to modification, misuse, overloading, or failure to assemble, install or use the DECKED Product in accordance with the Manufacturer's written instructions or guidelines included with the DECKED Product or separately made available to the original purchaser.
- Damage to the contents of the DECKED Product or vehicle.
- TO THE EXTENT PERMITTED BY LAW, IN NO EVENT SHALL THE MANUFACTURER BE LIABLE FOR ANY INCIDENTAL, SPECIAL, INDIRECT, OR CONSEQUENTIAL DAMAGES, INCLUDING ECONOMIC LOSS, WHETHER RESULTING FROM NONPERFORMANCE, USE, MISUSE, OR INABILITY TO USE THE DECKED PRODUCT OR THE MANUFACTURER'S NEGLIGENCE.

NO OTHER EXPRESS WARRANTY APPLIES

This Limited Lifetime Warranty is the sole and exclusive warranty for DECKED Products. No employee, agent, dealer, or other person is authorized to alter this warranty or make any other warranty on behalf of DECKED LLC.

NOTIFICATION PROCEDURES

If the DECKED Product does not conform with the terms of this limited warranty, the original purchaser must promptly notify the Manufacturer in writing upon discovery of the nonconformity. In order to receive remedies under this limited warranty, a warranty claim must have been registered with DECKED LLC by the original purchaser, must describe the nature of the products nonconformity, include a copy of the original sales receipt, invoice, or other proof of purchase and be accompanied with photos or video. Repairs or modifications made to the DECKED Product by other than the Manufacturer or its authorized agent will nullify this limited warranty. Coverage under this limited warranty is conditioned at all times upon the owner's compliance with these required registration, notification, and repair procedures.

Product registration may be performed at: <https://decked.com/register>

Warranty claims must include reciprocal contact information and may be made via certified mail or email to:

DECKED Warranty and Claims

Contact info:

DECKED LLC

PO Box 885

Ketchum, ID 83340

warranty@decked.com

208-806-0251

DECKED.COM | #DECKEDUSA | @DECKEDUSA

